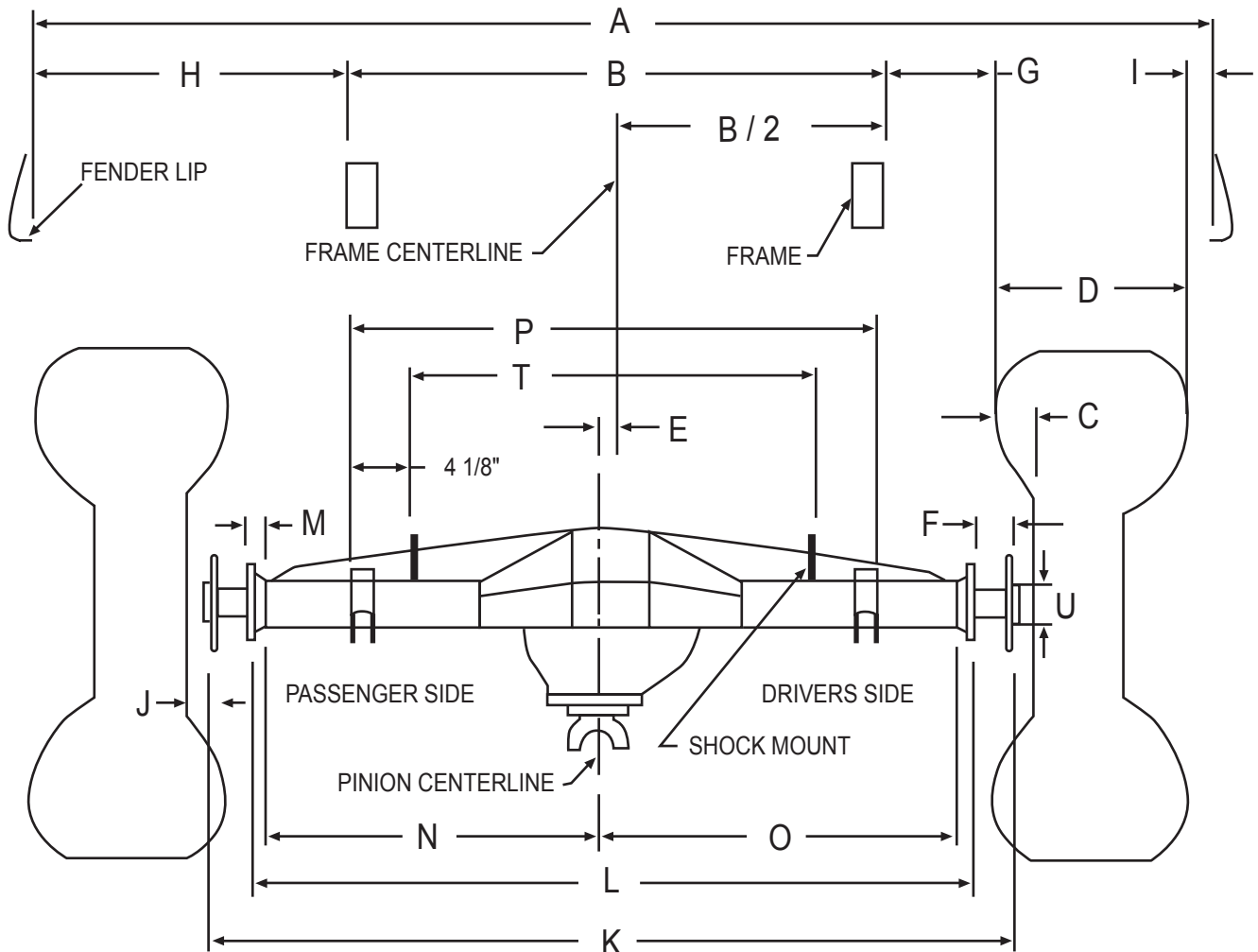


S/O #		DATE		CUSTOMER						CAR YEAR / MODEL					
HOUSING PART NUMBER				TIRE SIZE				WHEEL SIZE				BACK SPACING			
HOUSING ENDS										DIFFERENTIAL		SPLINE			
8000	8001	8002	8003	8004	8005	8006	8007	8008	8009	8010					
STUD SIZE		BOLT CIRCLE					AXLE BEARING								
1/2"	5/8"	5 on 4-1/2"		5 on 4-3/4"		5 on 5"		A1013	A1019	A1021	A1022	A1023			
BRAKE TYPE		SHOCK MOUNT PART #		WHEELIE BAR BRACKETS		AXLE VENT		BACK BRACE							
				YES NO		YES NO		YES NO							
A		B		C		D		E							
F		G		H		I		J							
K		L		M		N		O							
P		T		U		V		W							



I HAVE PROVIDED THE ABOVE SPECIFICATIONS FOR MY CUSTOM REAR END AND I ACCEPT FULL RESPONSIBILITY FOR THEM.

SIGNATURE REQUIRED